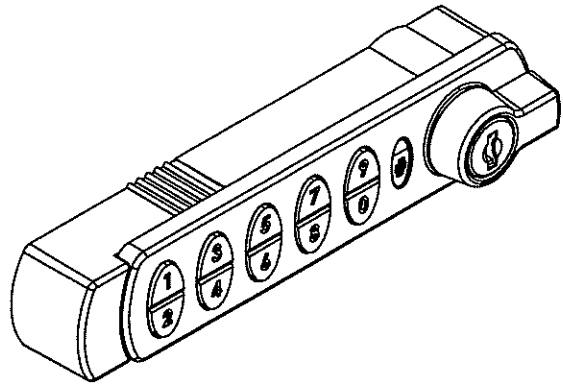
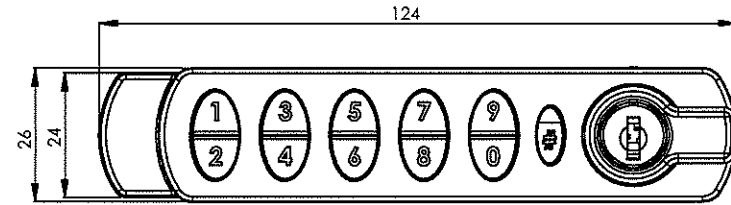
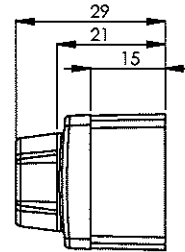
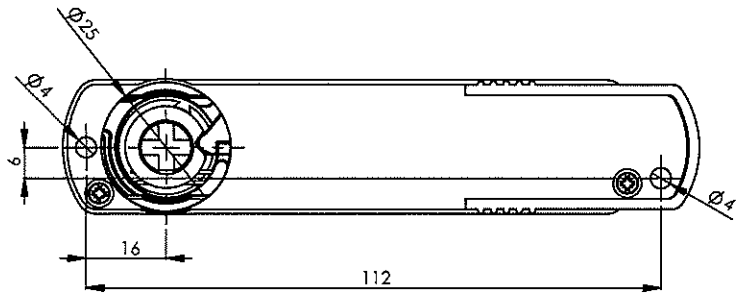


CAD LOCATION:

IF IN DOUBT ASK - DO NOT SCALE

USED ON:



AAA BATTERY



9094005  
SELF TAPPING SCREW  
X2 SUPPLIED

PRODUCT CODE	KEYPAD ORIENTATION	COLOUR
3760	1 VERTICAL	1E SILVER
	2 RIGHT HAND	2E SILVER
	3 LEFT HAND (SHOWN)	3E SILVER

TOLERANCES: LINEAR: ±0.20mm ANGULAR: ±0.5° UNLESS OTHERWISE STATED			
MATERIAL	-		
SPEC.	-		
FINISH	-	1	ECH 7204 - CUSTOMER DRAWING RELEASE 26/11/2018
DRAWN	DW	DATE 26/11/2018	NO MODIFICATION DATE
CHECKED	<i>CST</i>	DATE <i>28/12/18</i>	ORIGINAL SHEET SIZE A3
© COPYRIGHT 2015 NO PART OF THIS DOCUMENT MAY BE REPRODUCED IN ANY WAY WITHOUT PRIOR PERMISSION		DESCRIPTION 376031E ECLIPSE L/H	
<b>LOWE &amp; FLETCHER</b> LOCKING SYSTEMS FOR INDUSTRY		376031E-ECLIPSE-L/H-CUSTOMER Sheet 1 of 1	