



## Say goodbye to locker blocking and open the door to 100% locker availability

Product ID: 3966

Product ID: 3965

Nimbus RFID with Scheduled Unlock provides contactless locking in the same sleek, slimline style and footprint as the standard Nimbus locks, but with the addition of enhanced RFID functionality and Real Time Clock features.

### Scheduled Unlock

Scheduled Unlock gives you control over locker capacity by automatically unlocking at a set time each day. You maximize available storage, with the potential for 100% capacity every day plus reduce manual checks and save staff time. And no need to invest in new lockers!

### Multuser

Ideal for shared storage solutions such as medical cabinets and asset management lockers, a single Nimbus lock with Scheduled Unlock can support up to 50 concurrent private users with a digital audit trail showing who has accessed the lock and when. The audit trail can be downloaded and viewed using free PC software, removing the need for manual logs, saving time and improving accuracy.

### Clone Settings

Simplify setup for large digital locking installations. Instead of programming each lock individually, you can clone lock settings to an RFID card and apply them to additional locks in seconds. Not only do you reduce setup time, minimize errors, and lower installation costs, but you also retain a clear record of lock settings for maintenance and ongoing support.

### Upgrade Options

Nimbus RFID with Scheduled Unlock gives you the opportunity to upgrade your locks to the latest technology without drilling holes or replacing a locker door. Whether you have a Zenith or standard Nimbus lock, common mounting points mean the locks can simply be swapped out with minimal downtime and cost. No drilling or door replacements required.



### Workspace Storage and Education Facilities



### Asset Management

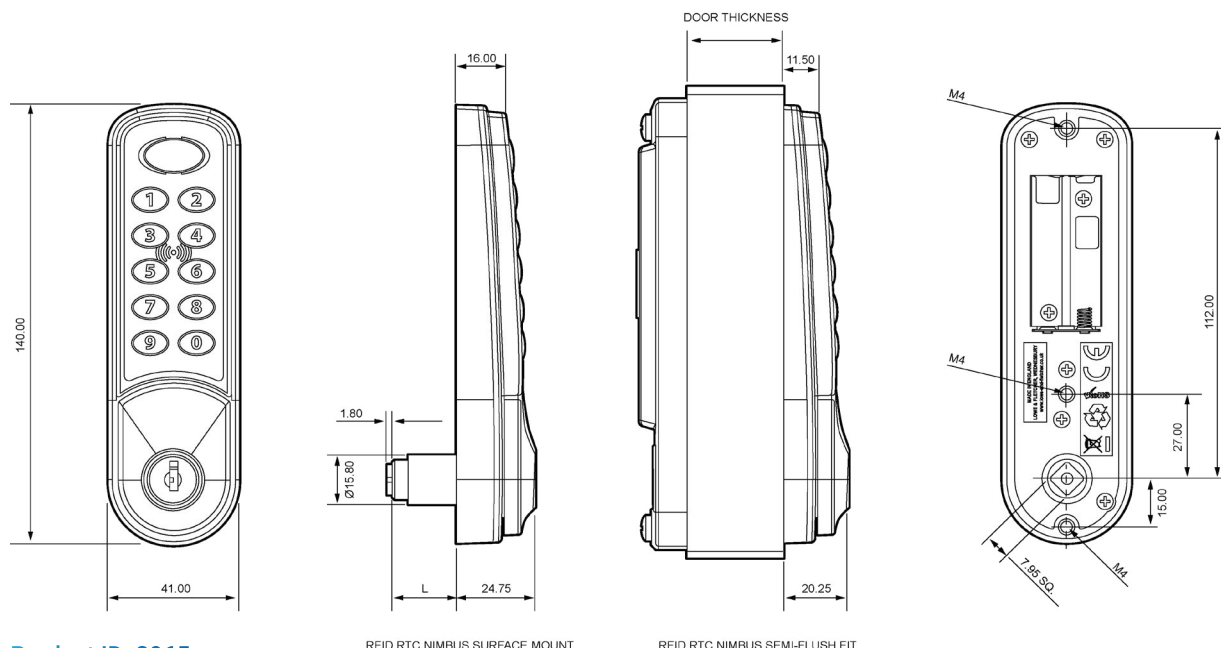


### Fitness and Wellness Centers



### Transport Hubs and Tourist Attractions

# Nimbus RFID with Scheduled Unlock



Product ID: 3965

RFID RTC NIMBUS SURFACE MOUNT

RFID RTC NIMBUS SEMI-FLUSH FIT

## Standard Features

- ✔ Compatible with ISO14443A RFID standards including Legic-Advant-Protocol and Mifare-Protocols
- ✔ **User modes:** Public mode, Private mode, Multiuser mode (Private mode only) or RAS mode
- ✔ **Standard finishes:** Black, silver, white powder coat
- ✔ **Optional finishes:** Satin or Chrome (MOQ applies)
- ✔ **Mounting options:** Surface mount or semi-flush fit fitting (maximum 20mm protrusion)
- ✔ **Orientation options:** Vertical and Horizontal (left or right hand fixing, numbers rotated to orientation)
- ✔ **Mechanical Override Key:** 2 keys per 50 locks
- ✔ **Robust design:** Zinc diecast construction housing
- ✔ **Spindle length:** 20mm and 24mm spindle length
- ✔ **Lock movement:** Left 90° or Right 90°
- ✔ **Cam fixing:** 8mm SQ. with M4 thread
- ✔ **Ingress Protection (3965):** IP4X Rated Not for wet areas / applications
- ✔ **Ingress Protection (3966):** IP65 Rated Wet areas / applications
- ✔ **Temperature Rating:** 17.6°F – 122°F (-8°C to +50 °C)
- ✔ **Declaration of Conformity:** CE Marked



Lowe & Fletcher Inc (USA)

E: [sales@loweandfletcherinc.com](mailto:sales@loweandfletcherinc.com)

T: +1 (616) 994 0490

W: [www.loweandfletcherinc.com](http://www.loweandfletcherinc.com)