



Push to Turn Latch Lock

Introducing the new and improved push-to-turn latch lock from Lowe & Fletcher. Manufactured to exacting standards, this lock has a distinct and audible "click" when the handle reaches the locked position. This, combined with a smooth rotational feel, makes it very easy to use.

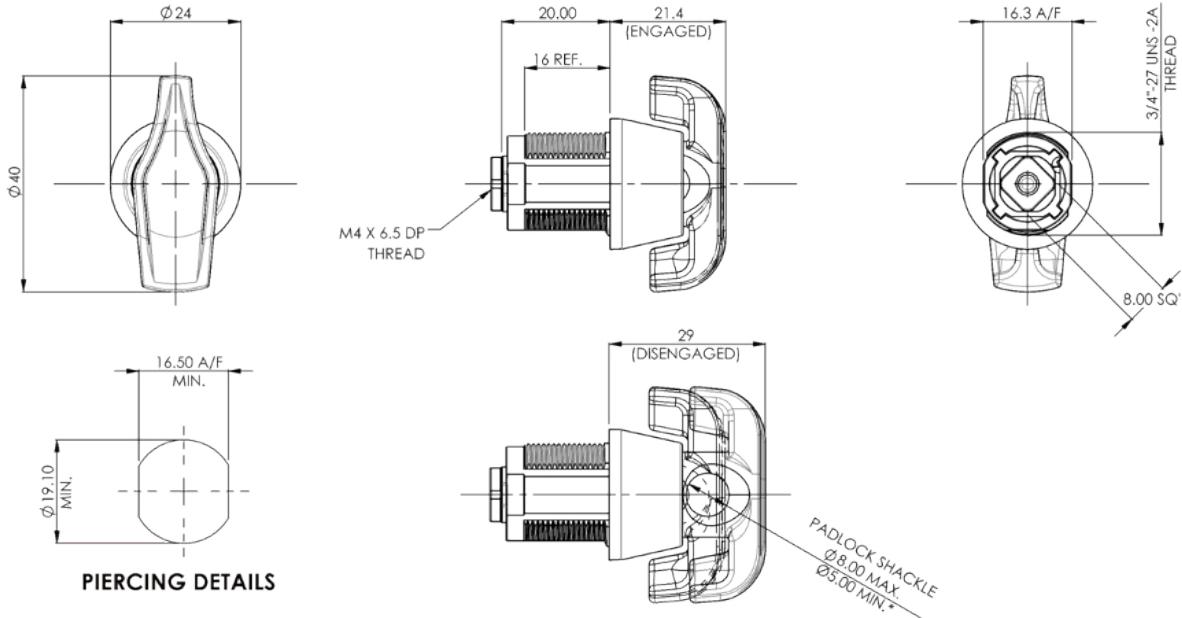
When secured with a padlock, the latch lock handle is disengaged and spins freely to help prevent brute force attacks of the handle.

With a robust design and simplicity of use, this latch lock is extremely versatile and suitable for a broad range of applications including lockers, office furniture and personal storage in any environment.

Standard Features

- ✓ Standard movements: 01 (90°CW), 02 (90°CCW)
- ✓ Standard finish: Barrel Nickel
Bright Chrome (available on request)
Satin Chrome (available on request)
- ✓ Recommended shackle: Ø5mm min. – Ø8mm max
- ✓ Nut mounted housing: ≤13mm panel thickness
- ✓ Smooth transition for handle engagement
- ✓ Positive 'click' between open and closed position
- ✓ Free-wheel system with padlock installed
- ✓ Zinc diecast construction
- ✓ Handle customization (available on request)

Push to Turn Latch Lock



*MINIMUM PADLOCK SHACKLE DIAMETER BASED ON 20mm INTERNAL SHACKLE RADIUS

Product ID: 5720

Product Code	N/A	Movement	Finish
5720	0	1 – Right-hand (90° CW to open)	7B – Barrel nickel
		2 – Left-hand (90° CCW to open)	2A – Polished chrome*
			2C – Satin chrome*

e.g. 5720017B

*Available on request



Lowe & Fletcher Inc (USA)
 E: sales@loweandfletcherinc.com
 T: +1 (616) 994 0490
 W: www.loweandfletcherinc.com