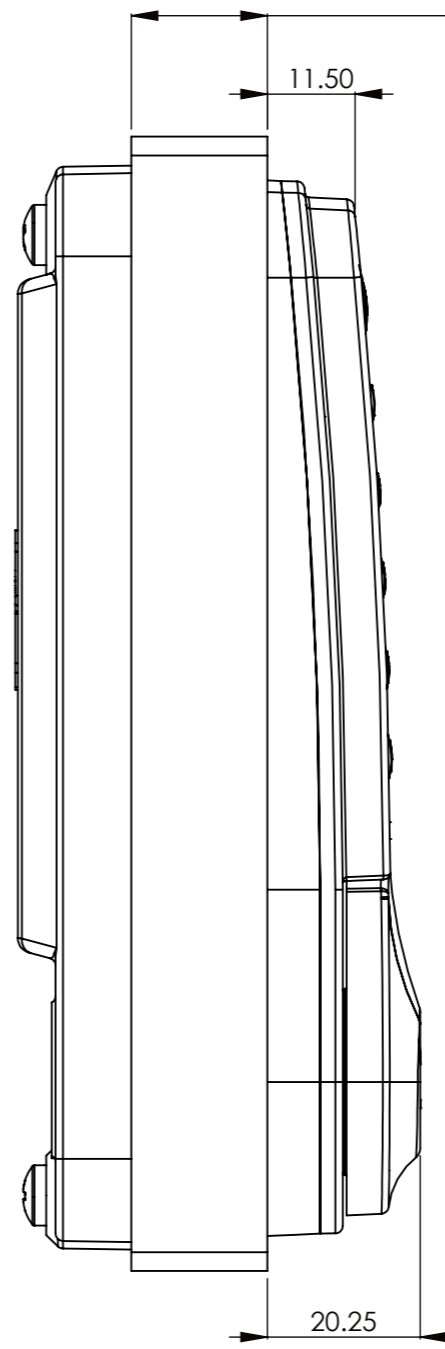
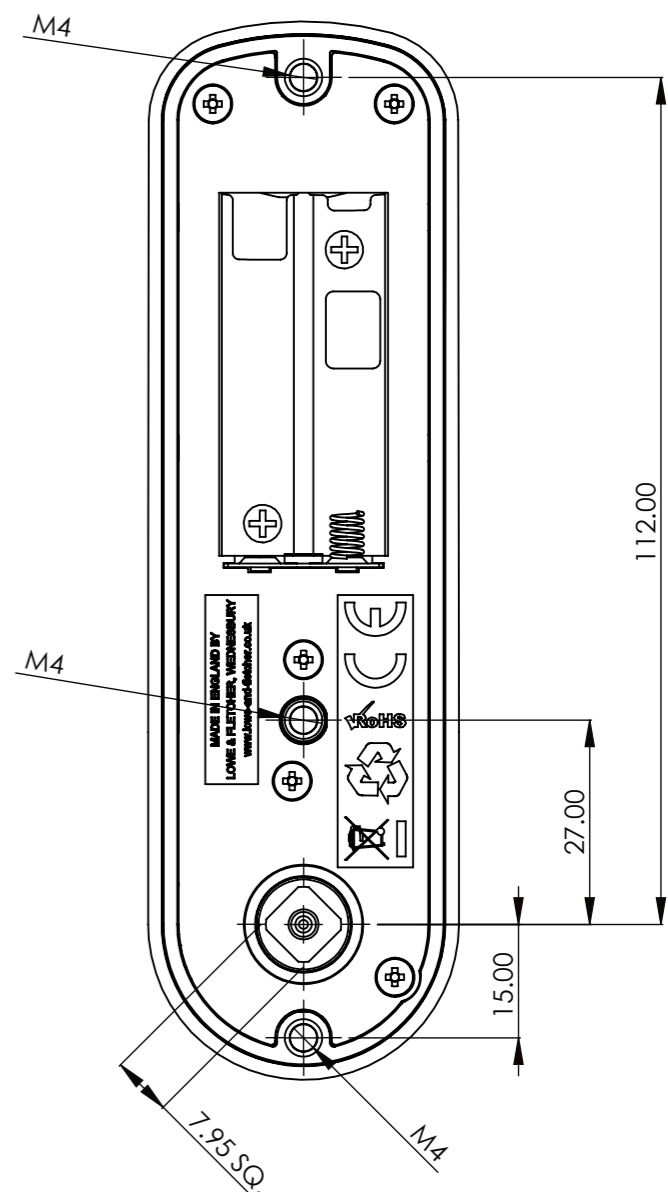


RFID NIMBUS SURFACE MOUNT



RFID NIMBUS SEMI-FLUSH FIT



L	VERTICAL	RIGHT HAND	LEFT HAND
20mm	3963 11*	3963 12*	3963 13*
24mm	3963 21*	3963 22*	3963 23*
SLAM	3963 51*	3963 52*	3963 53*

* = FINISH CODE

*	FINISH CODE
WHITE	1A
BLACK	1B
SILVER	1E
CHROME	2A
BRUSHED NICKEL	7D

TOLERANCES:
 LINEAR: ±0.20mm ANGULAR: ±0.5°
 UNLESS OTHERWISE STATED

MATERIAL	
SPEC.	
FINISH	
DRAWN	SAM.G DATE 15/06/2021 NO MODIFICATION DATE
CHECKED	DATE

© COPYRIGHT 2015
 NO PART OF THIS DOCUMENT MAY BE REPRODUCED
 IN ANY WAY WITHOUT PRIOR PERMISSION

ORIGINAL SHEET SIZE A3

DESCRIPTION
 3963 RFID NIMBUS DIGITAL COMBINATION LOCK

3963 Sheet 1 of 1



SCALE 1:1