



INSTANT SECURITY LOCK

Introducing our easy to install security lock designed and manufactured by Lowe & Fletcher to exacting standards. This lock can be installed in a matter of seconds to secure printer trays, file cabinets, drawers and doors as a deterrent to unauthorized entry.

This lock was originally designed to protect sensitive or controlled forms-based documents—such as pharmacy scripts, blank checks, visitor badges, and licensing documents. Protecting the paper trays of a printer, or the supply cabinet where these forms exist is very simple with this lock. Additionally, it can be used to quickly and conveniently protect common office supplies, contracts, employee records, or other sensitive contents.

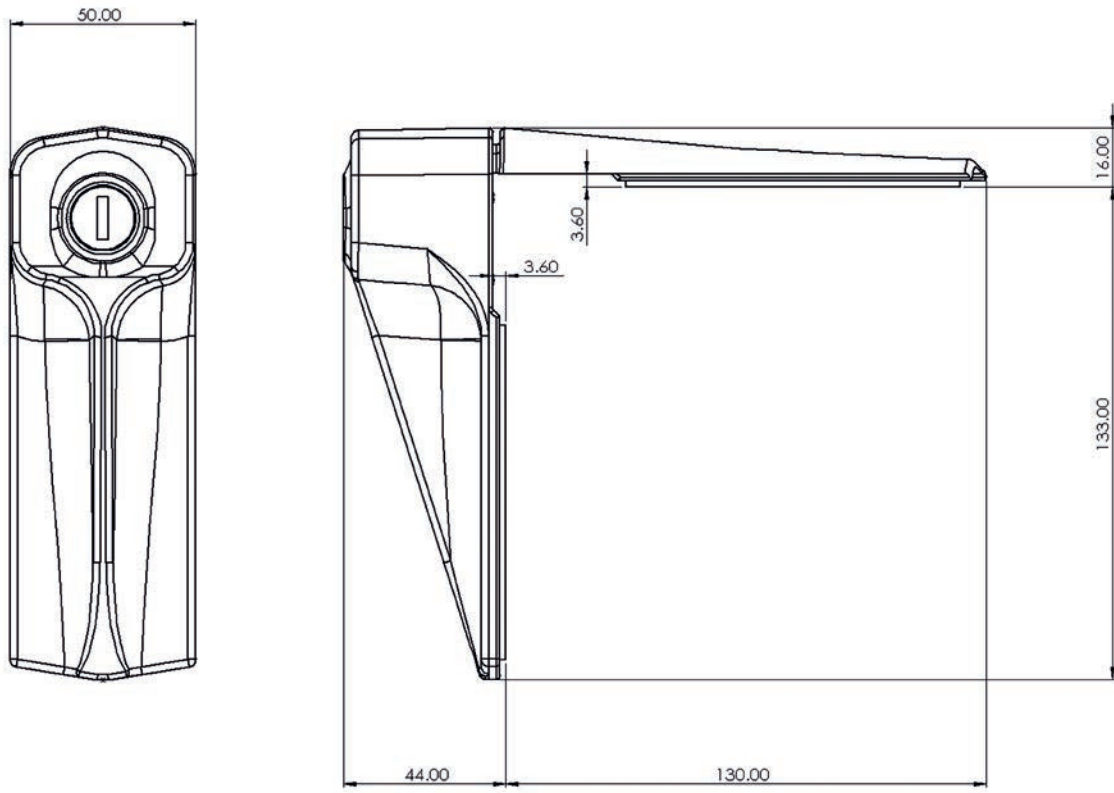
This lock can be installed in 15 seconds or less due to industrial strength adhesive strips on both mounting surfaces of the lock. Simply remove the adhesive film, position the lock and press in place. No holes to drill. No tools needed. No template to follow. It is a simple and “Instant” locking solution.

Once installed, a turn of the key releases the front section, allowing the door or drawer to open. To use the slam action, turn and remove the key and the lock will automatically lock when the door or drawer is closed. Design flexibility also allows you to remove the key after unlocking, should you want the lock to remain unlocked.

Security was never so simple.



CONVENIENT AND VERSATILE SYSTEM
NO HOLES TO DRILL



Standard Features

- Fits most drawers and doors with flat surfaces
- Easy mounting – no holes to drill
- Mounts easily to new or existing printers, cabinets, drawers or furniture
- Mounts for both left and right-hand applications
- High strength plastic body
- Industrial strength adhesive pads
- De-greasing pre-installation wipes supplied
- High quality Lowe & Fletcher cam lock
- Satin Black as standard
- Slam-to-lock function

7710H Kit Contents

- Two right angle high-strength plastic lock components with the lock cylinder inserted and assembled
- Two keys
- Two self-adhesive pads with removable backing
- Two pre-installation de-greasing wipes
- Mounting instructions

Lowe & Fletcher, Inc.
650 Airport Place
Norton Shores MI-49441

T: +1 (616) 994 0490
F: +1 (616) 994 0480
E: sales@loweandfletcherinc.com
W: www.loweandfletcherinc.com

L&F A Lowe & Fletcher Group Company